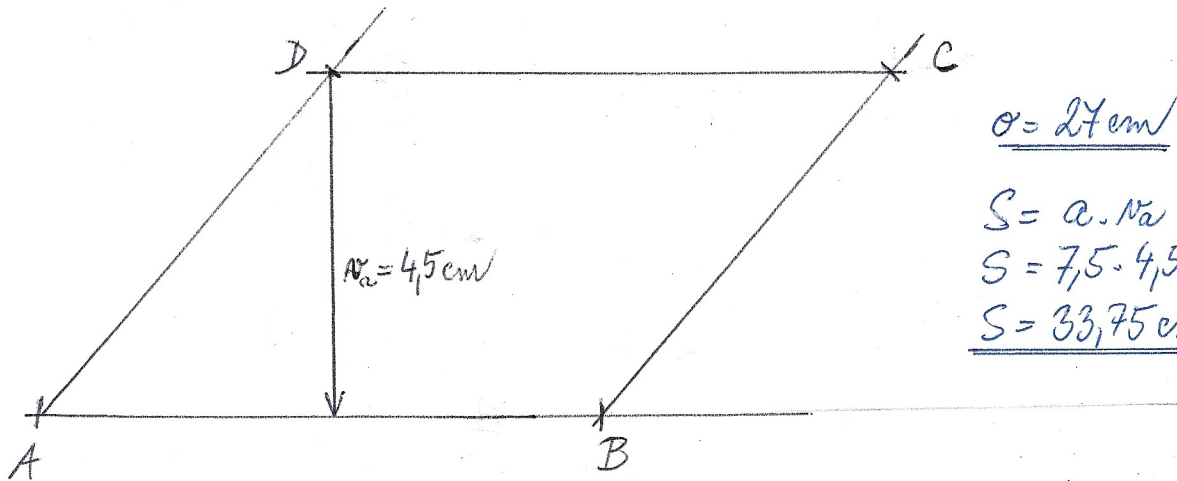
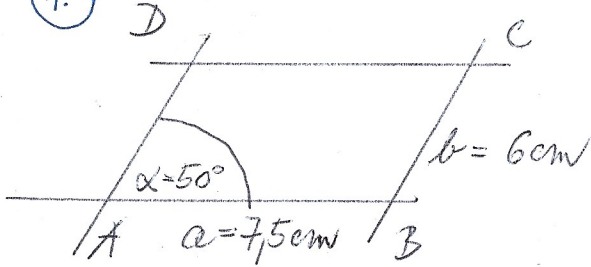


romobezniky - uhol - rieseni'

1.



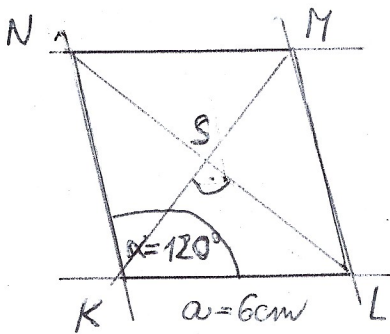
$a = 24 \text{ cm}$

$S = a \cdot N_a$

$S = 7,5 \cdot 4,5$

$S = 33,75 \text{ cm}^2$

2.

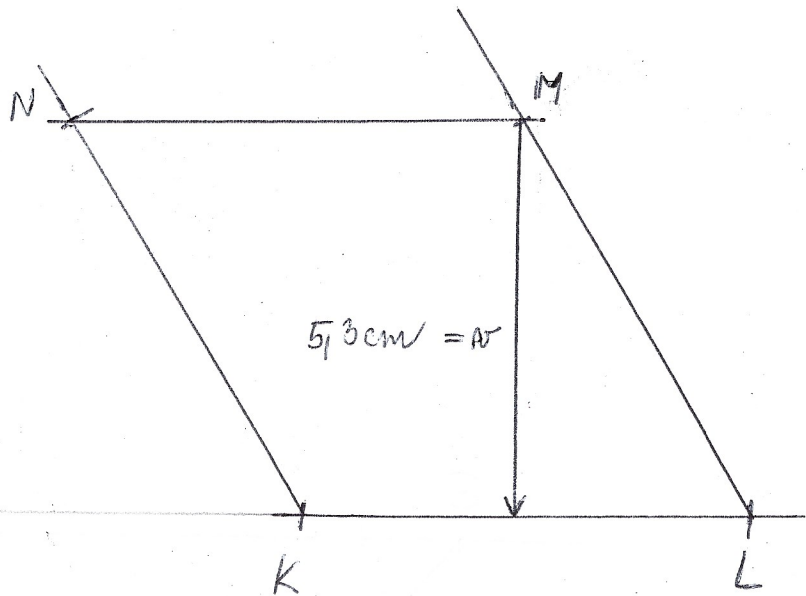


$a = 24 \text{ cm}$

$S = a \cdot N_a$

$S = 6 \cdot 5,3$

$S = 31,8 \text{ cm}^2$



3.* rhomboid XYZV; $a = 8 \text{ cm}$; $b = 5 \text{ cm}$; $S = 33,6 \text{ cm}^2$; $N_a = ?$

$S = a \cdot N_a$

$33,6 = 8 \cdot N_a$

$N_a = 33,6 : 8$

$N_a = 4,2 \text{ cm}$

$33,6 : 8 = 4,2$

$\frac{16}{0}$